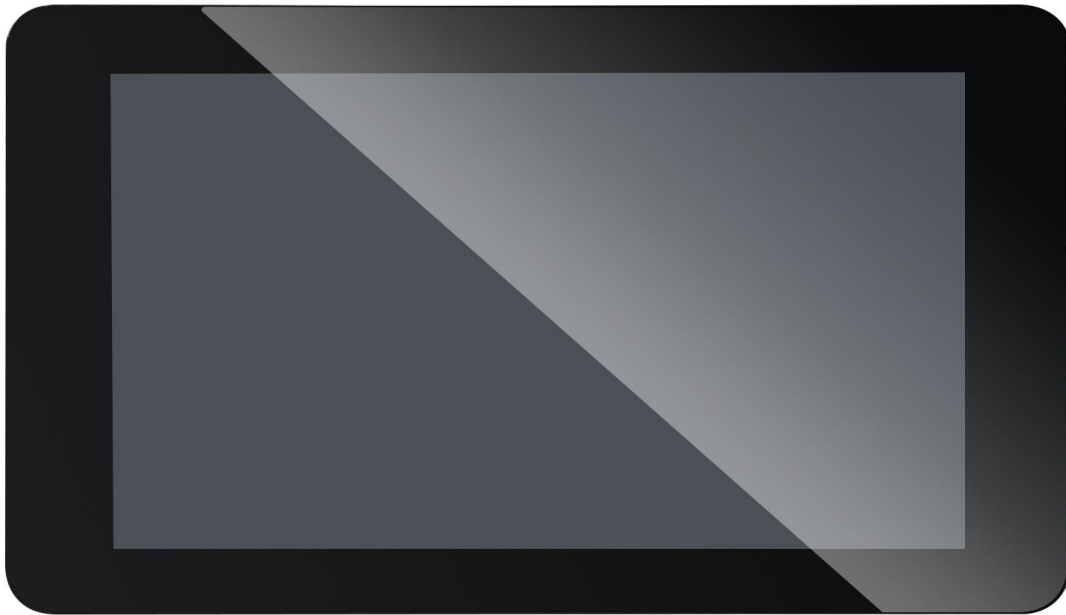


LCD-MIPI7C-8MM



Data	Version	Modify Details
2022-12-12	V1.0	

1 Description

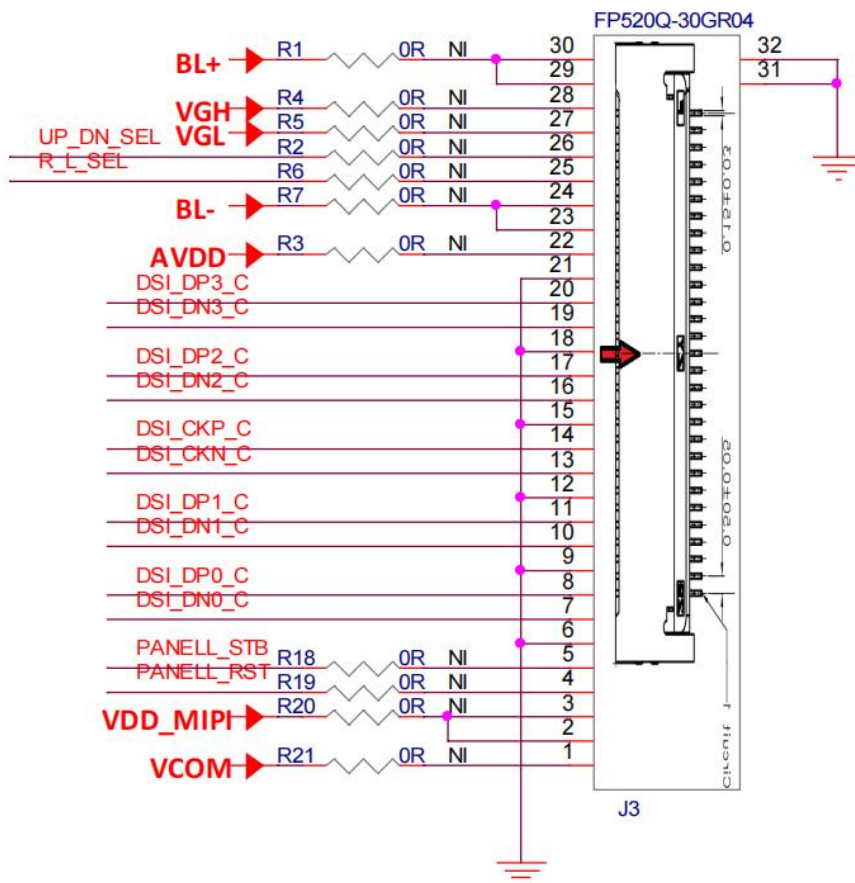
- This LCD-MIPI7C-8MM capacitive touch display enables user to prototype end applications such as tablets, infotainment systems and embedded projects.
- This display is compatible with SBC-IMX8MM Series.
- The display's active area is 154.21mm x 85.92mm featuring a resolution of 1024 x 600
- The display connects to the SBC-IMX8MM via an adapter board which handles power and signal conversion to the standardize SBC-IMX8MM 30-pin Connector and IIC Connector.
- Note: Only compatible with the SBC-IMX8MM Platform.

2 Specification

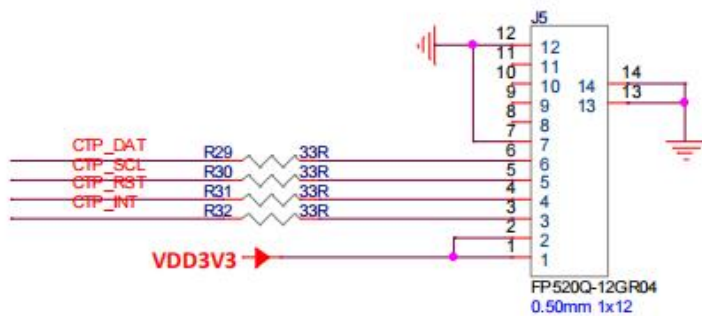
Resolution	1024x600
Touch IC	GT911
LCD Type	TFT
Display color	16.7M
Viewing Direction	6
Operating temperature	-30° -+80°
ActiveArea(W×H)	154.21x85.92mm
Number of Dots	1024×RGB×600
Backlight	21pcs
Data Transfer	MIPI

3 Pins Out

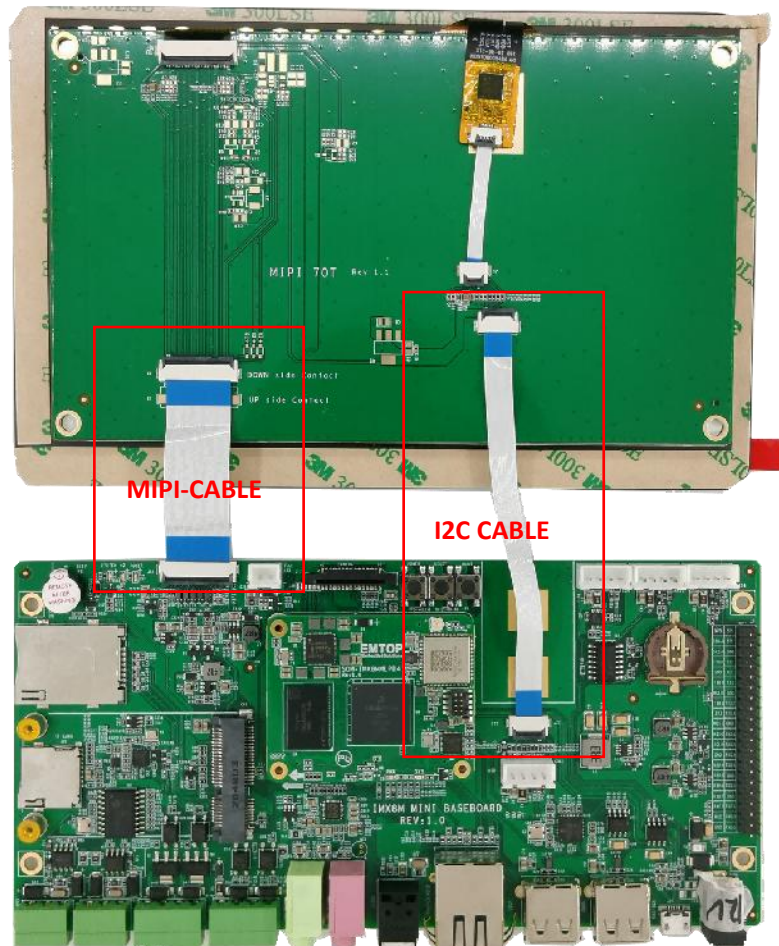
MIPI



Touch



4 Connection



5 Setup As Default Display

Modify uEnv.txt and Enable MIPI-DSI as default Output Device.

uEnv.txt normally under boot folder if use tf card

If you already boot from emmc or tf card, use below command to find the uEnv.txt

```
find -name uEnv.txt
```

EMTOP

Embedded Solutions

*7 INCH MIPI DISPLY With
Capacitive touch FOR
IMX8M MINI Series Board*

*** If you Use SOM-IMX8MM-LPD4**

```
fdt_file=emtop-mc-si8mm.dtb  
#fdt_file=emtop-mc-si8mm-lt8912-lvds.dtb  
#fdt_file=emtop-mc-si8mm-vislcd-mipi.dtb  
#fdt_file=emtop-mc-si8mm-hdmi.dtb
```

Remark:

Add"#" Means Disable, remove " #" Means Enable

*** If you Use SOM-IMX8MM**

```
fdt_file=emtop-mc-si8mm.dtb  
#fdt_file=emtop-mc-si8mm-lt8912-lvds.dtb  
#fdt_file=emtop-mc-si8mm-vislcd-mipi.dtb  
#fdt_file=emtop-mc-si8mm-hdmi.dtb
```